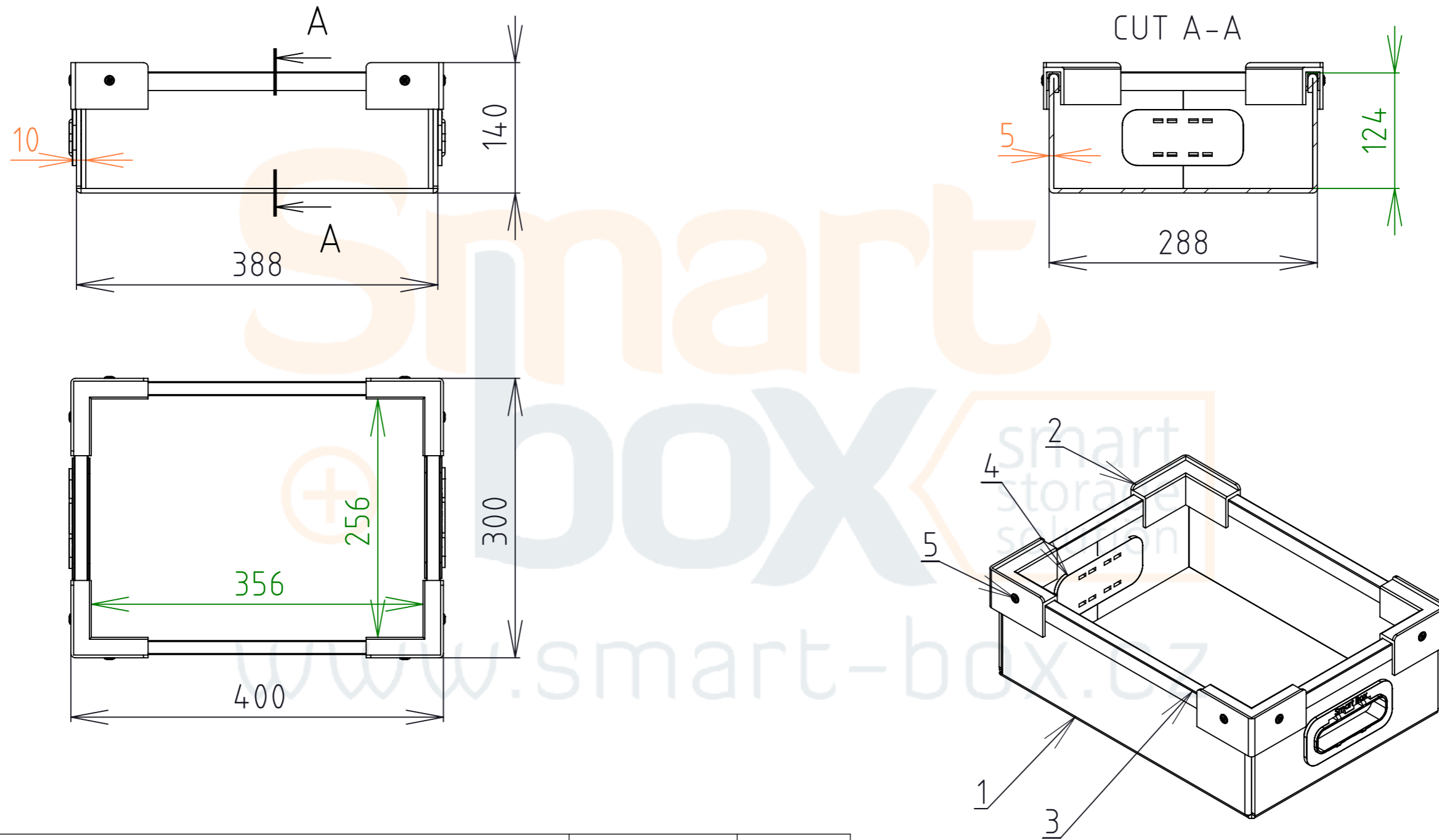


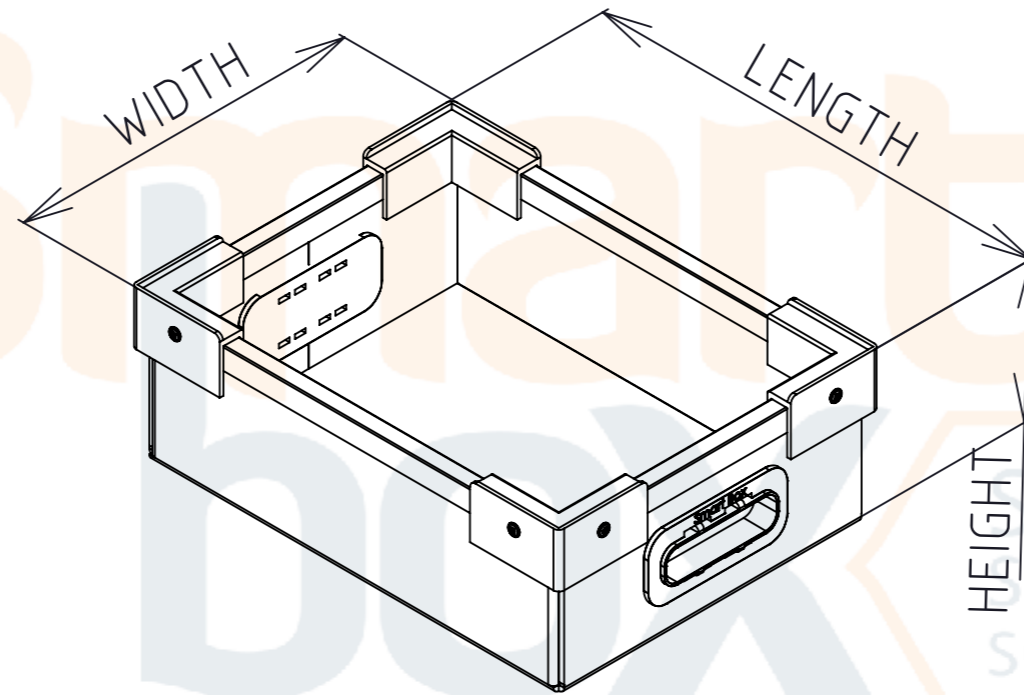
TECHNICAL DRAWING



ITEM N.	DESCRIPTION	QUANTITY	WEIGHT
1	Stacking box - Al profile - PP corners_01	1	0.35
2	Stacking PP corner-type1	4	0.05
3	Stacking box - Al profile - PP corners - U10 Frame_01	1	0.34
4	Handle smart - opened x closed	2	0.05
5	Screw-type1-15mm-silver	8	0.00

SPECIFICATION	
Weight	1.00 kg
Volume	11.4 l
Scale	1:5

OPTIONAL PARAMETRES - TYPE A



www.smart-box.cz

