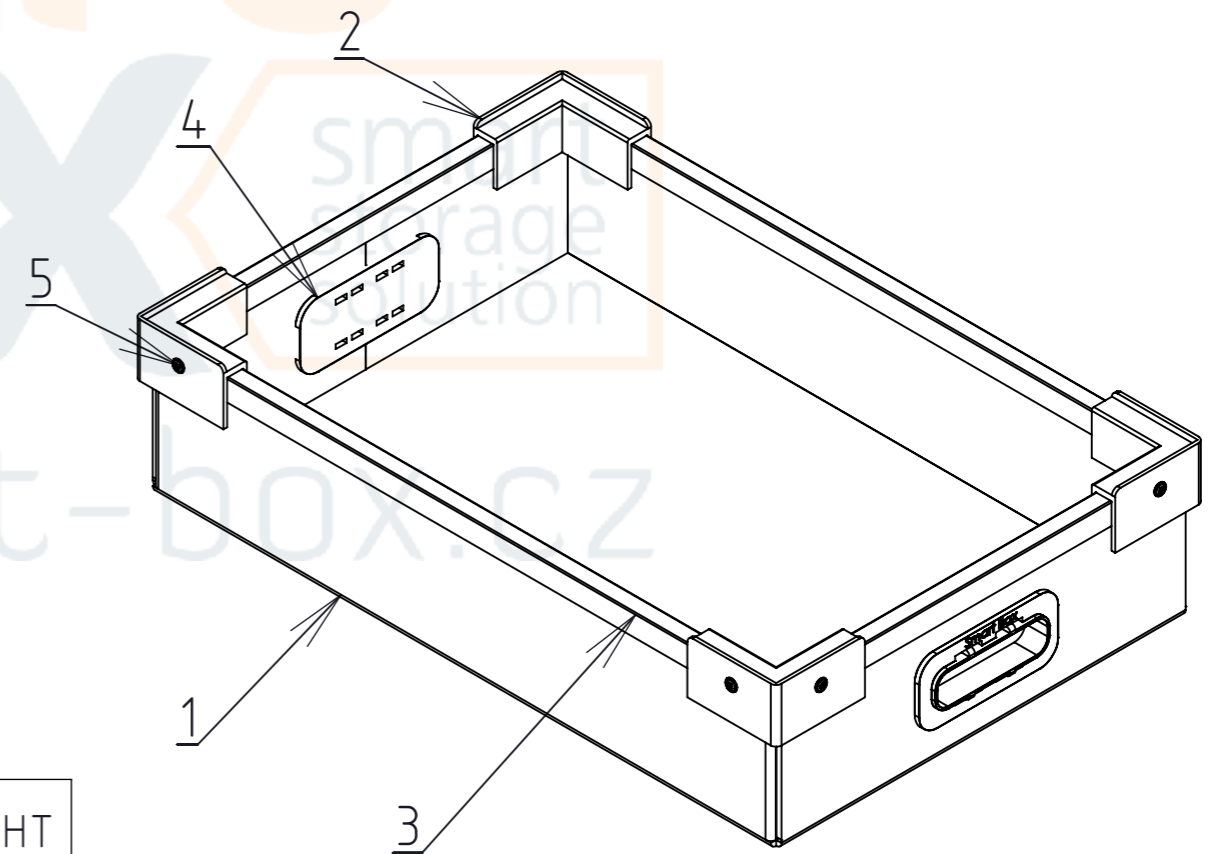
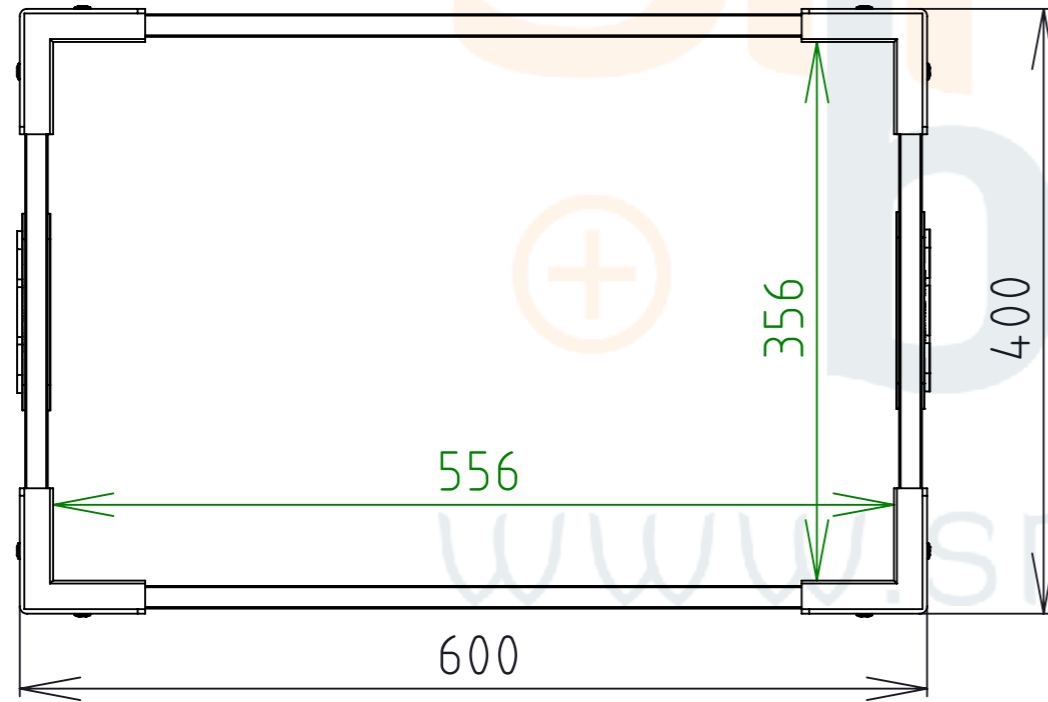
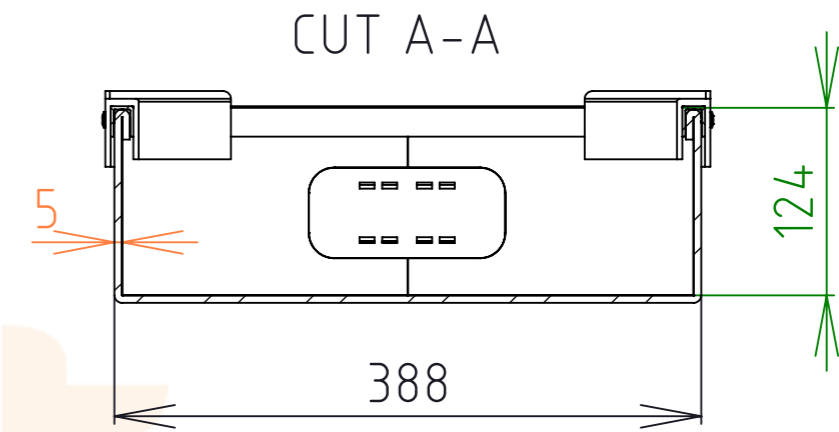
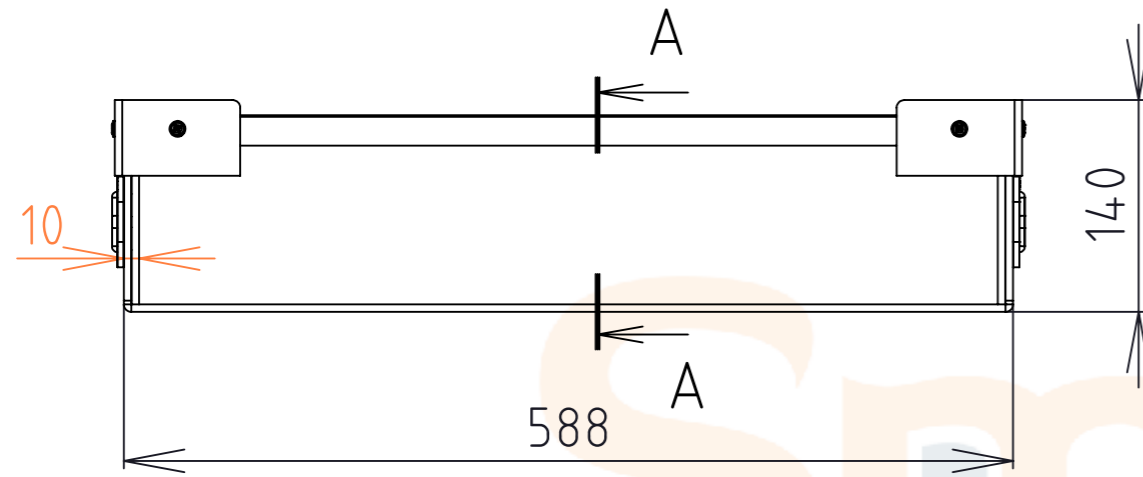


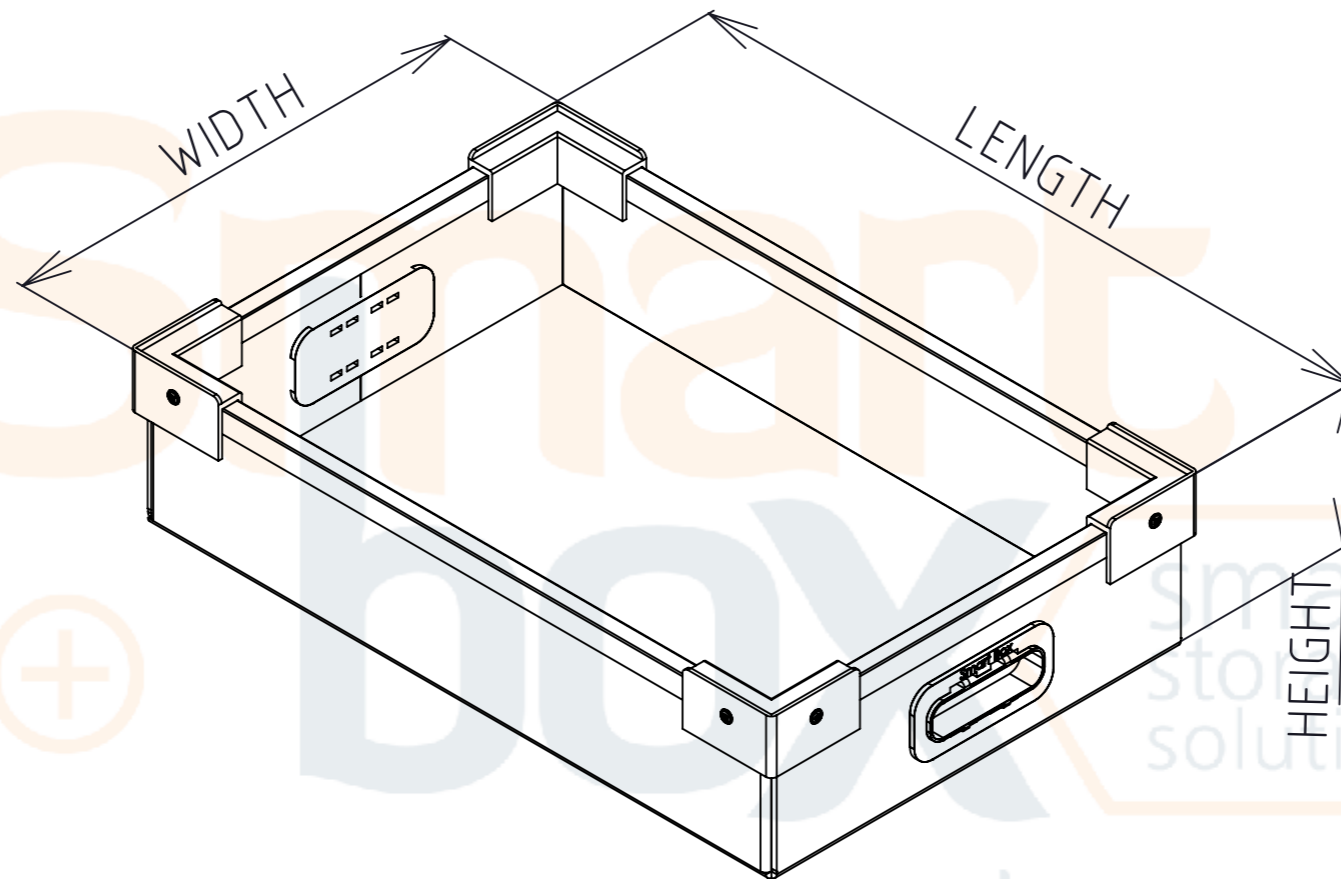
TECHNICAL DRAWING



ITEM N.	DESCRIPTION	QUANTITY	WEIGHT
1	Stacking box - Al profile - PP corners_02	1	0.58
2	Stacking PP corner-type1	4	0.05
3	Stacking box - Al profile - PP corners - U10 Frame_02	1	0.51
4	Handle smart - opened x closed	2	0.05
5	Screw-type1-15mm-silver	8	0.00

SPECIFICATION	
Weight	1.40 kg
Volume	24.7 l
Scale	1:5

OPTIONAL PARAMETERS - TYPE A



www.smart-box.cz

