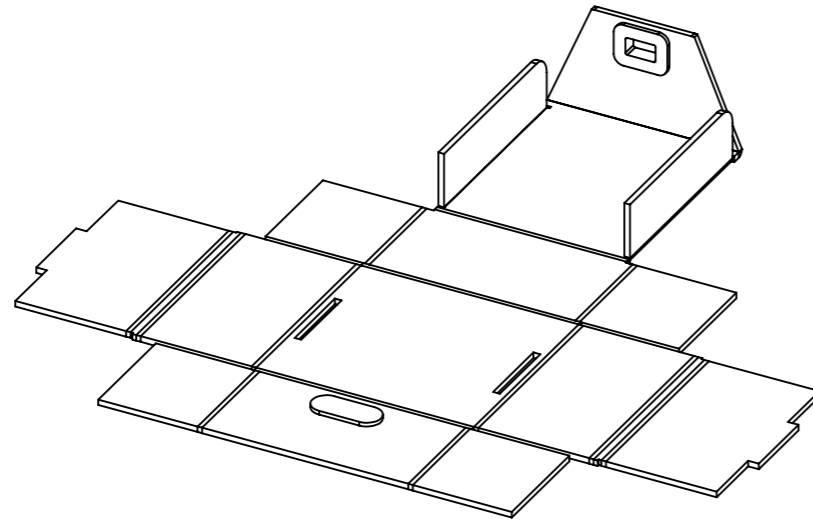


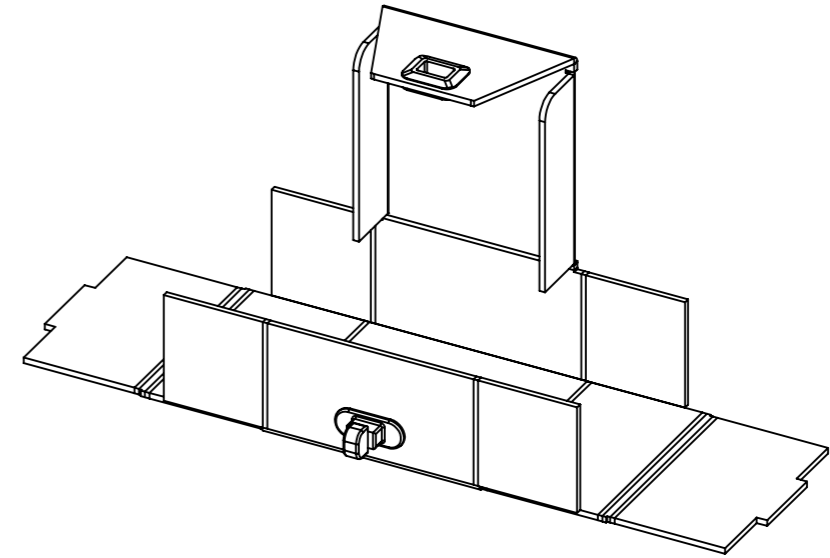
INSTRUCTION MANUAL

Product code: 10010101

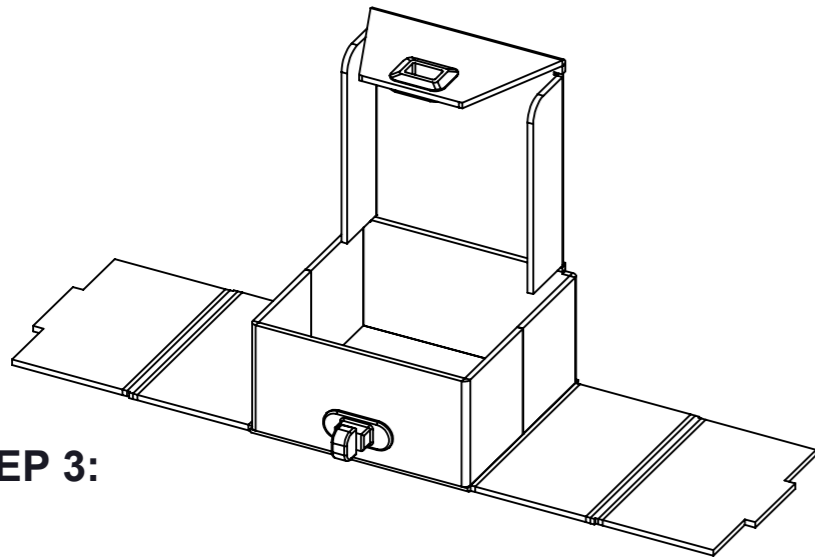
STEP 1:



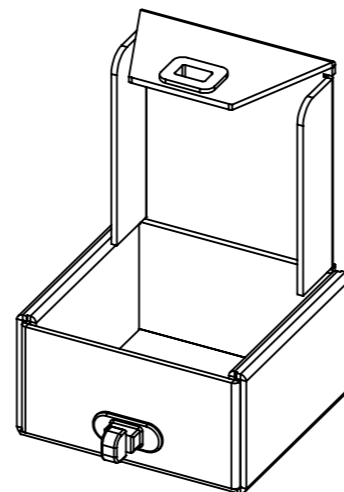
STEP 2:



STEP 3:



STEP 4:



STEP 5:

