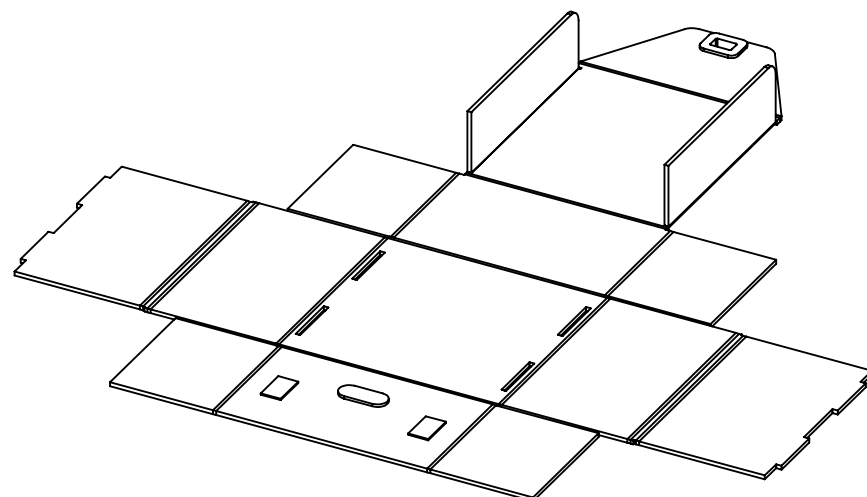


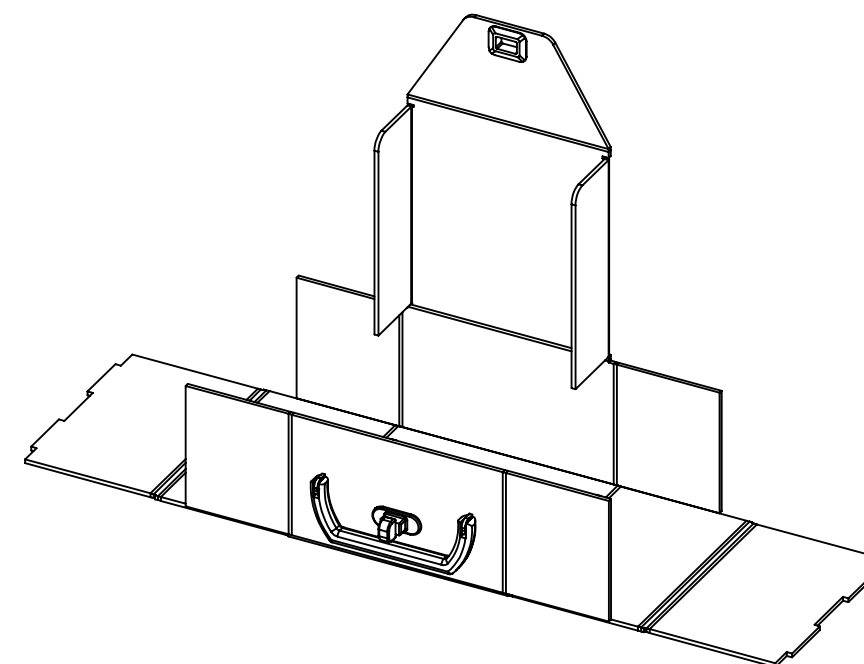
# INSTRUCTION MANUAL

Product code: 10010103

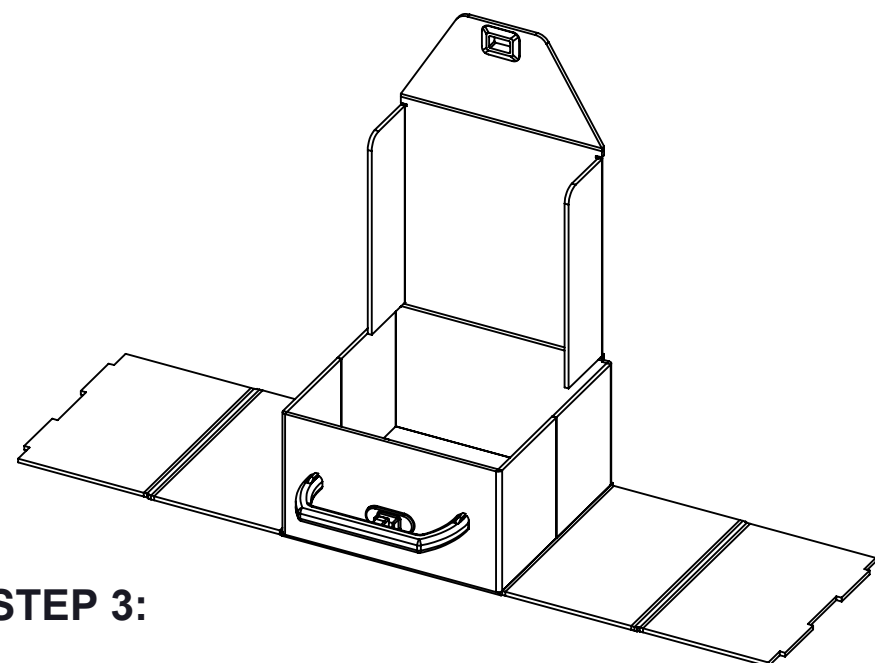
**STEP 1:**



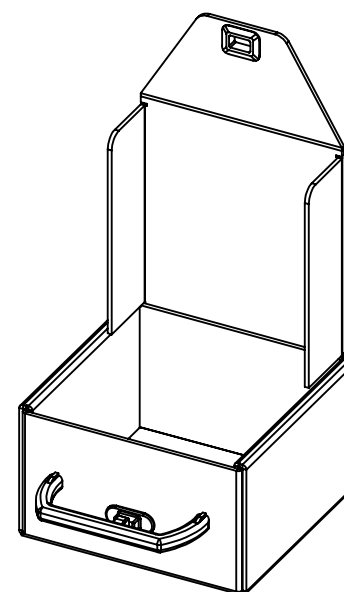
**STEP 2:**



**STEP 3:**



**STEP 4:**



**STEP 5:**

